

DDR DIMM Module Socket
CN111S series



Product Name
CN111S- * * 00-FT00

Height 1: H = 5.2mm 2: H = 9.2mm

1: Top mount 5: Reverse mount

Feature

- JEDEC standard compliant
- Top mount and Reverse mount type
- Height variation: 5.2mm and 9.2mm
- 200pin 1.8V DIMM module socket
- Original contact structure ensure contact reliability even with dirt & dust condition
- Original contact structure ensure stable contact resistance.
- RoHS compliant
- Lead-free soldering capable
- Available in tape & reel packing for auto-mounting assembly

Specification

Current Rating	0.6A
Voltage Rating	100V AC/DC
Insulation Resistance	1000M Minimum
Withstanding Voltage	AC500V 1min.
Contact Resistance	50m Maximum
Operating Temperature	-55 ~ +85 1
Insertion/Extraction	25 Times

1: Including terminal temperature rise

Packing quantity

H = 5.2mm :200pcs/Tape and reel

H = 9.2mm :150pcs/Tape and reel

Minimum order quantity

H = 5.2mm :200pcs (200pcs/Tape and reel)

H = 9.2mm :150pcs (150pcs/Tape and reel)

Order unit: Tape and reel

Material & plating

Product name	Material&Plating
Insulation	Liquid crystal polymer(LCP)
Contact	Material: Copper Alloy Plating: Ni-Au
Reinforcement terminal	Material: Stainless Plating: Ni-Sn

Head Office YAMAICHI ELECTRONICS Co.,Ltd.

3-28-7 Nakamagome, Ota-ku, Tokyo 143-8515, JAPAN Tel:+81-3-3778-6154 Fax:+81-3-3778-6177 <http://www.yamaichi.co.jp>

Oversea Branch

Yamaichi Electronics USA, Inc. 475 Holger Way, San Jose, CA 95134, U.S.A. TEL: +1-408-715-9100 FAX: +1-408-715-9199 <http://www.yamaichi.us>

Yamaichi Electronics Deutschland GmbH Karl-Schmid-Strasse 9, D-81829 Munich, GERMANY TEL: +49-89-45109-0 FAX: +49-89-45109-110 <http://www.yamaichi.de>

Yamaichi Electronics Singapore Pte. Ltd. 72 Bendemeer Road #04-21, Luzerne, Singapore 339941 TEL: +65-6297-8312 FAX: +65-6297-8141 <http://www.yamaichi.com.sg>

ASIA YAMAICHI ELECTRONICS Inc. 505, Kyungin B/D, 166-3, SamSeong-Dong, Gangnam-Gu, Seoul, 135-881, KOREA TEL: +82-2-557-0522 FAX: +82-2-557-0622 <http://yamaichi.co.kr>

Yamaichi Electronics Hong Kong Unit 713 Tower 2 Grand Central Plaza, 138 Shatin Rural Committee Road, Shatin, N.T., HONG KONG TEL: +852-2687-1968

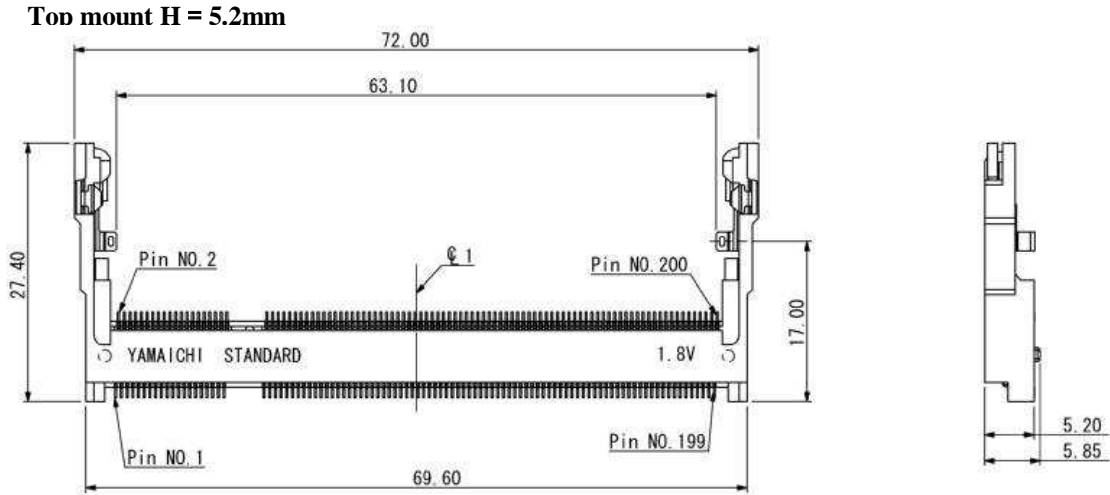
FAX: +852-2601-9681 <http://www.yamaichi.com.cn/hk>

3e YAMAICHI Electronics Co., Ltd. (Sales Agent) 12F, No.27, Sec.2, Zhong Jheng E. Rd., Dan Shui town Taipei County 25170, Taiwan, R.O.C. TEL: +886-2-88093146

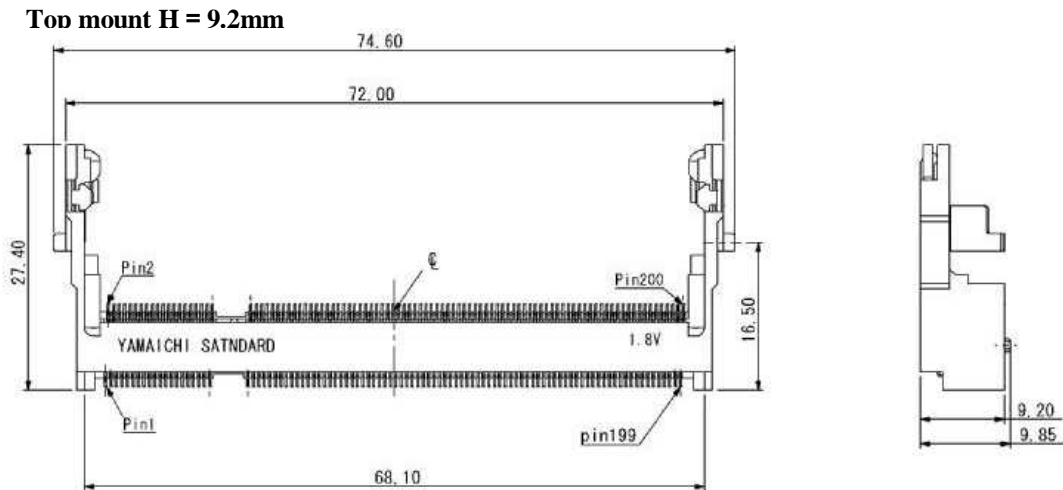
FAX: +886-2-88093176 <http://www.3eyamaichi.com>

DDR DIMM Module Socket CN111S series

CN111S-1100-FT00 Outline Dimension

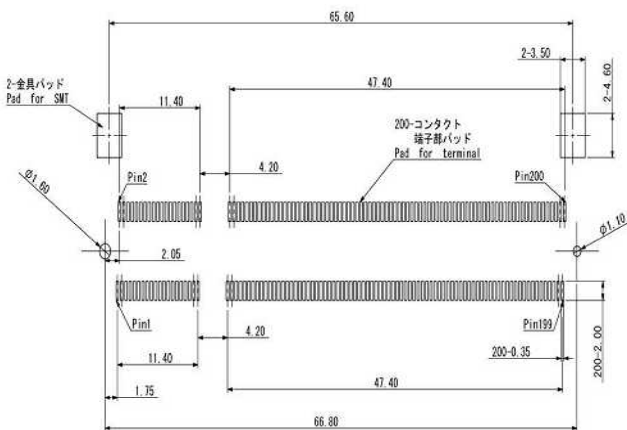


CN111S-1200-FT00 Outline Dimension

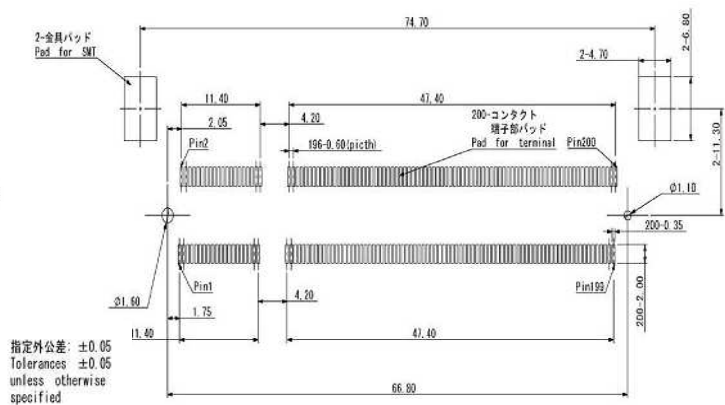


Recommended Foot Pattern Dimension

CN111S-1100-FT00



CN111S-1200-FT00



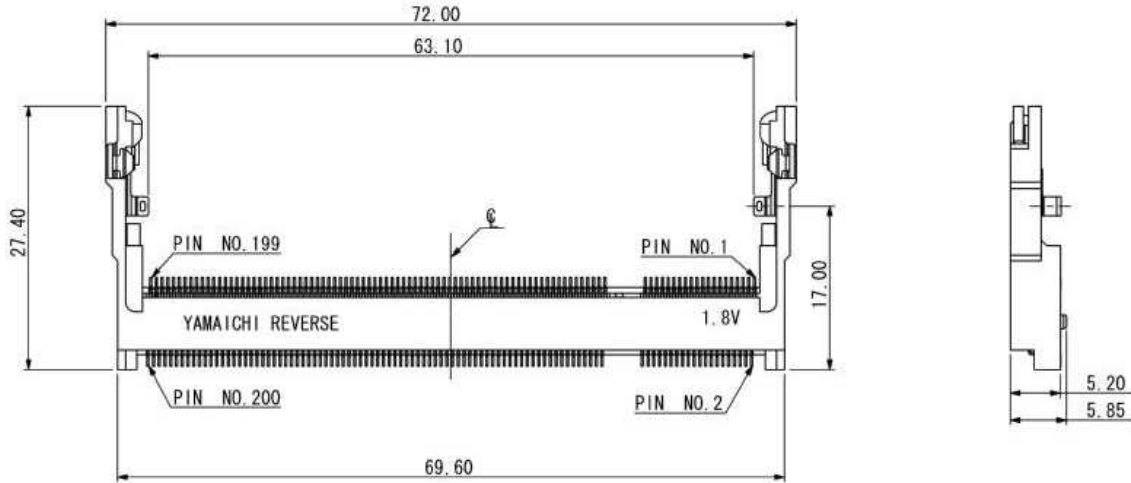
Specification in this document are reference values for representative products of each series and change without prior notice. Since product improvement entails changes to electrical, material and mechanical properties, the purchasing party is strongly encouraged to inquire about the latest specifications before placing a purchase order. All other service, product and company names mentioned herein are the trademarks or registered trademarks of their respective owners.

2010/04/26 Rev.A

DDR DIMM Module Socket CN111S series

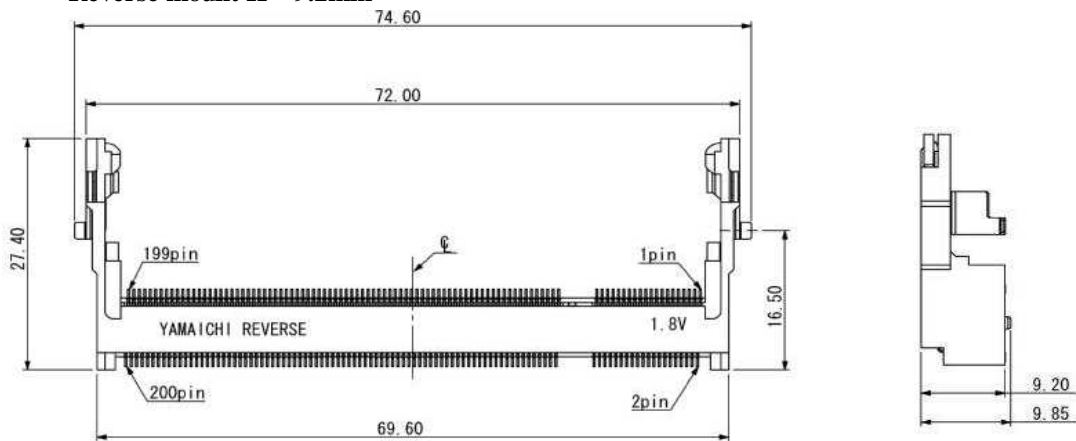
CN111S-5100-FT00 Outline Dimension

Reverse mount H = 5.2mm



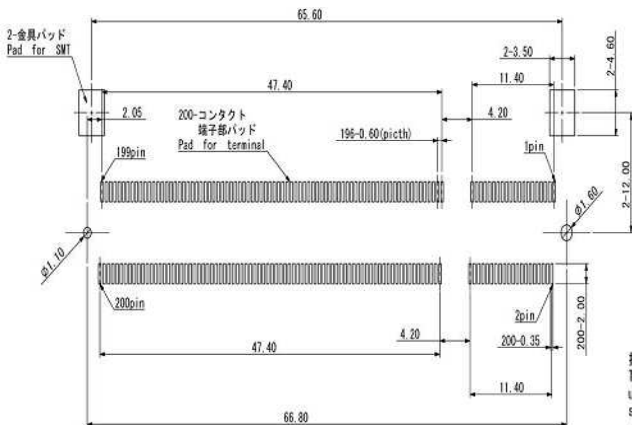
CN111S-5200-FT00 Outline Dimension

Reverse mount H = 9.2mm

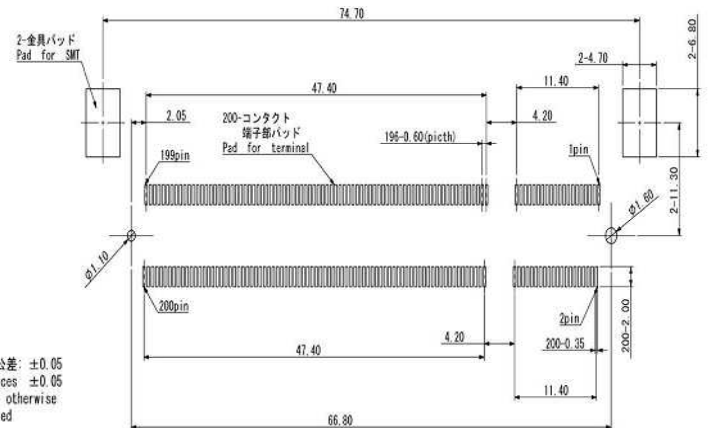


Recommended Foot Pattern Dimension

CN111S-5100-FT00



CN111S-5200-FT00



指定外公差: ±0.05
Tolerances: ±0.05
unless otherwise
specified

Specification in this document are reference values for representative products of each series and change without prior notice. Since product improvement entails changes to electrical, material and mechanical properties, the purchasing party is strongly encouraged to inquire about the latest specifications before placing a purchase order. All other service, product and company names mentioned herein are the trademarks or registered trademarks of their respective owners.

2010/04/26 Rev.A