

**DDR DIMM Module Socket**  
**CN112S series**



**Product Name**

**CN112S-1 \* 00- \* T00**

Contact area plating

F: Au0.05 μ m Min B: Au0.3 μ m Min A: Au0.76 μ m Min

Height 1: H = 5.2mm 2: H = 9.2mm

1: Top mount

**Feature**

- JEDEC standard compliant
- Top mount type
- Height variation: 5.2mm and 9.2mm
- Contact area plating variation: F,B and A type
- 204pin 1.5V DIMM module socket
- Original contact structure ensure contact reliability even with dirt & dust condition
- Original contact structure ensure stable contact resistance.
- RoHS compliant
- Lead-free soldering capable
- Available in tape & reel packing for auto-mounting assembly

**Specification**

Current Rating	0.6A
Voltage Rating	100V AC/DC
Insulation Resistance	1000M Minimum
Withstanding Voltage	AC500V 1min.
Contact Resistance	50m Maximum
Operating Temperature	-55 ~ +85 1
Insertion/Extraction	25 Times

1: Including terminal temperature rise

**Packing Quantity**

H = 5.2mm :200pcs/Tape and reel

H = 9.2mm :150pcs/Tape and reel

**Minimum order quantity**

H = 5.2mm :200pcs (200pcs/Tape and reel)

H = 9.2mm :150pcs (150pcs/Tape and reel)

Order unit: Tape and reel

**Material & plating**

Product name	Material&Plating
Insulation	Liquid crystal polymer(LCP)
Contact	Material: Copper Alloy Plating: Ni-Au
Reinforcement terminal	Material: Stainless Plating: Ni-Sn

**Head Office YAMAICHI ELECTRONICS Co.,Ltd.**

3-28-7 Nakamagome, Ota-ku, Tokyo 143-8515, JAPAN Tel:+81-3-3778-6154 Fax:+81-3-3778-6177 <http://www.yamaichi.co.jp>

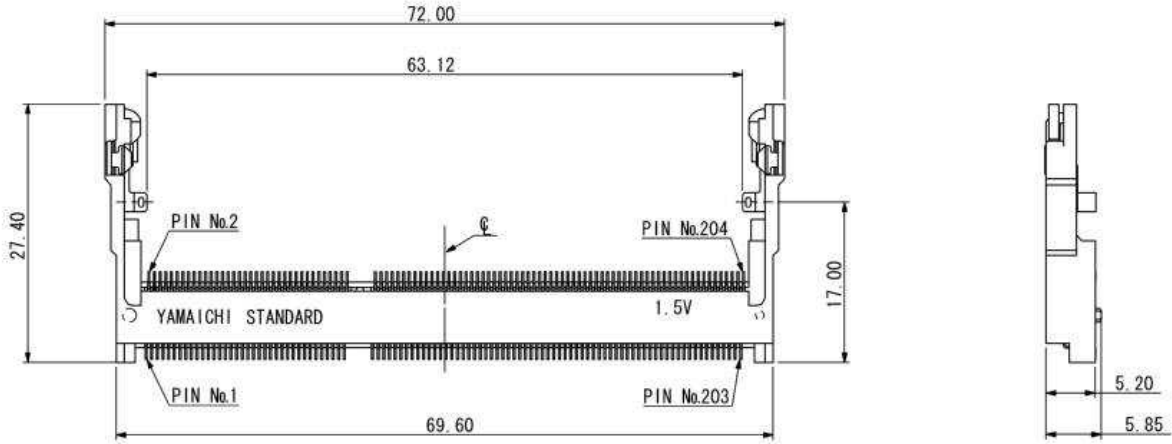
**Oversea Branch**

Yamaichi Electronics USA, Inc. 475 Holger Way, San Jose, CA 95134, U.S.A. TEL: +1-408-715-9100 FAX: +1-408-715-9199 <http://www.yamaichi.us>  
 Yamaichi Electronics Deutschland GmbH Karl-Schmid-Strasse 9, D-81829 Munich, GERMANY TEL: +49-89-45109-0 FAX: +49-89-45109-110 <http://www.yamaichi.de>  
 Yamaichi Electronics Singapore Pte. Ltd. 72 Bendemeer Road #04-21, Luzerne, Singapore 339941 TEL: +65-6297-8312 FAX: +65-6297-8141 <http://www.yamaichi.com.sg>  
 ASIA YAMAICHI ELECTRONICS Inc. 505, Kyungin B/D, 166-3, SamSeong-Dong, Gangnam-Gu, Seoul, 135-881, KOREA TEL: +82-2-557-0522 FAX: +82-2-557-0622 <http://yamaichi.co.kr>  
 Yamaichi Electronics Hong Kong Unit 713 Tower 2 Grand Central Plaza, 138 Shatin Rural Committee Road, Shatin, N.T., HONG KONG  
 TEL: +852-2687-1968 FAX: +852-2601-9681 <http://www.yamaichi.com.cn/hk>  
 3e YAMAICHI Electronics Co., Ltd. (Sales Agent) 12F, No.27, Sec.2, Jhong Jheng E. Rd., Dan Shui town Taipei County 25170, Taiwan, R.O.C. TEL: +886-2-88093146  
 FAX: +886-2-88093176 <http://www.3evamaichi.com>

# DDR DIMM Module Socket CN112S series

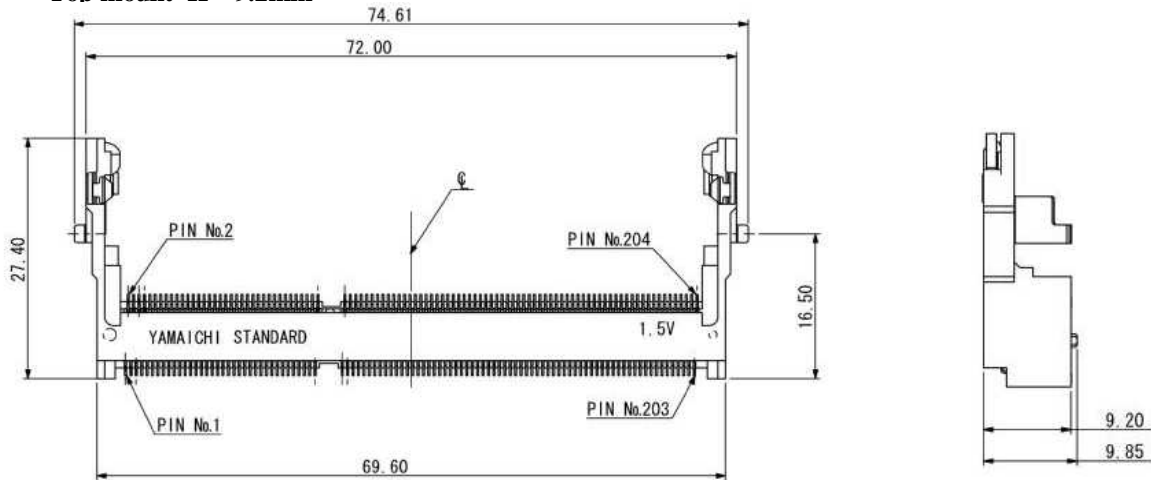
## CN112S-1100- \*T00 Outline Dimension

Top mount H = 5.2mm



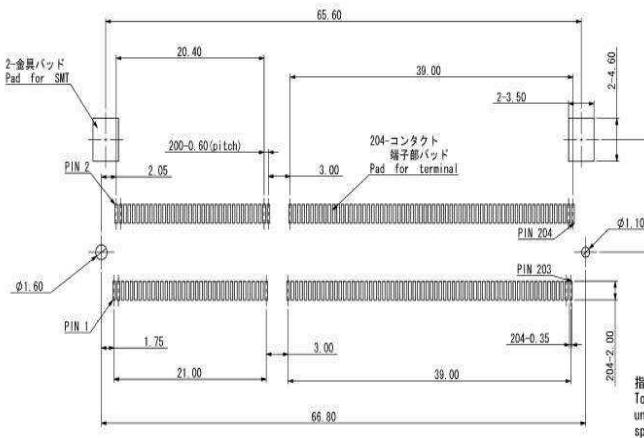
## CN112S-1200- \*T00 Outline Dimension

Top mount H = 9.2mm

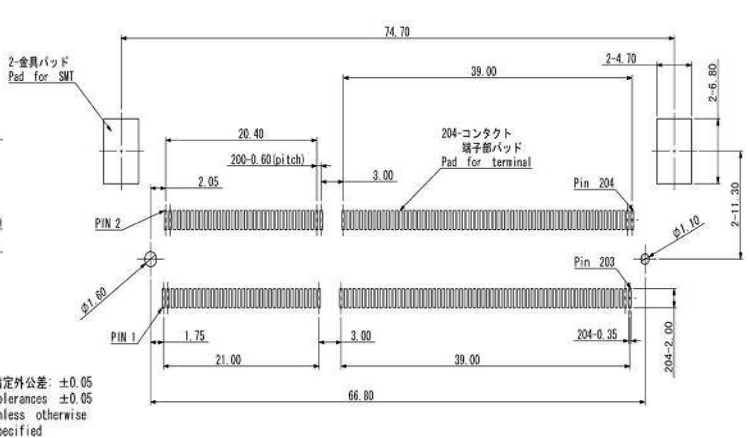


## Recommended Foot Pattern Dimension

### CN112S-1100- \*T00



### CN112S-1200- \*T00



指定外公差: ±0.05  
Tolerances: ±0.05  
unless otherwise  
specified

Specification in this document are reference values for representative products of each series and change without prior notice. Since product improvement entails changes to electrical, material and mechanical properties, the purchasing party is strongly encouraged to inquire about the latest specifications before placing a purchase order. All other service, product and company names mentioned herein are the trademarks or registered trademarks of their respective owners.

2010/04/26 Rev.A