

QSFP Multi-Source Agreement (MSA) compliant
32Gbps QSFP Host Connector

✓ RoHS

P/N: CN120-038-000 *

Contact area plating
 1 : Au 0.76um Min.
 2 : Au 0.38um Min.



Feature

- QSFP Multi-Source Agreement (MSA) compliant
- Transmission characteristics: 32Gbps/ch, 4ch=128Gbps/connector
- Compatible with existing QSFP(Infiniband: QDR/FDR/EDR) module
- Fully compatible foot pattern with existing QSFP connector
- Selectable durability: 50 or 250 cycles
- RoHS compliant
- Lead-free soldering capable

Material & Finish

Parts name	Material&Finish
Insulator	LCP, PPS
Contact	Material: Cu Alloy Finish: Ni-Au plating Ni-Sn plating

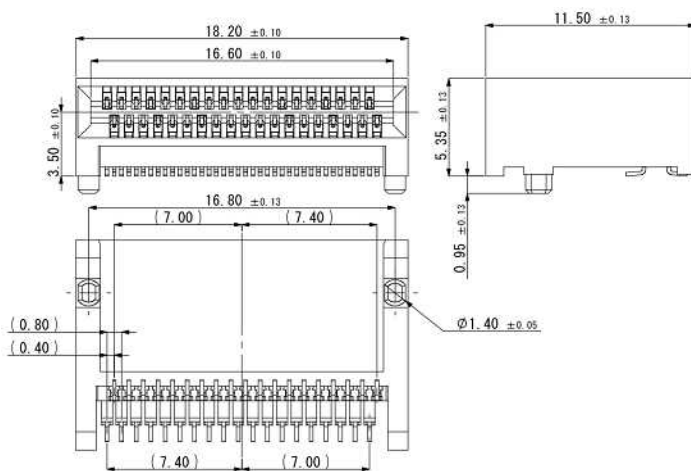
Specifications

Current Rating	0.5A
Voltage Rating	120V AC
Insulation Resistance	1000MΩ Min.
Withstanding Voltage	DC300V 1min.
Contact Resistance	10mΩ Max.
Operating Temperature	-55 ~ +85
Durability	Au 0.76um 250 cycles Au 0.38um 50 cycles

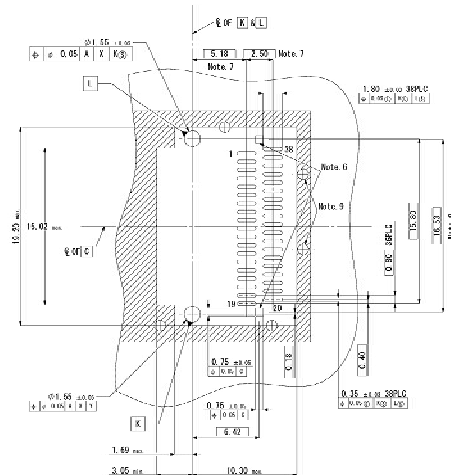
Packaging

Tape & Reel : 550pcs/reel

Outline Dimensions



Recommended Foot Pattern



Head Office YAMAICHI ELECTRONICS CO.,LTD.

3-28-7 Nakamagome, Ota-ku, Tokyo 143-8515, JAPAN Tel:+81-3-3778-6154 Fax:+81-3-3778-6177 <http://www.yamaichi.co.jp>

Overseas Branch

Yamaichi Electronics USA, Inc. 475 Holger Way, San Jose, CA 95134, U.S.A. TEL: +1-408-715-9100 FAX: +1-408-715-9199 <http://www.yamaichi.us>

Yamaichi Electronics Deutschland GmbH Karl-Schmid-Strasse 9, D-81829 Munich, GERMANY TEL: +49-89-45109-0 FAX: +49-89-45109-110 <http://www.yamaichi.de>

Yamaichi Electronics Singapore Pte. Ltd. 72 Bendemeer Road #04-21, Luzerne, Singapore 339941 TEL: +65-6297-8312 FAX: +65-6297-8141 <http://www.yamaichi.com.sg>

ASIA YAMAICHI ELECTRONICS Inc. 505, Kyungin B/D, 166-3, SamSeong-Dong, Gangnam-Gu, Seoul, 135-881, KOREA TEL: +82-2-557-0522 FAX: +82-2-557-0622 <http://yamaichi.co.kr>

Yamaichi Electronics Hong Kong Unit 815-16 8F Tower 1 Grand Central Plaza, 138 Shatin Rural Committee Road, Shatin, N.T., HONG KONG

TEL: +852-2687-1968 FAX: +852-2601-9681 <http://www.yamaichi.com.cn/hk>

3e YAMAICHI Electronics Co., Ltd. 12F, No.27, Sec.2, Jhong Jheng E. Rd., Dan Shui town Taipei County 25170,

Taiwan, R.O.C. TEL: +886-2-88093146 FAX: +886-2-88093176 <http://www.yamaichi.com.tw>

2011 Oct. Rev.A Copyright (C) 2011 YAMAICHI ELECTRONICS CO., LTD.



山一電機株式会社
 YAMAICHI ELECTRONICS Co., Ltd.